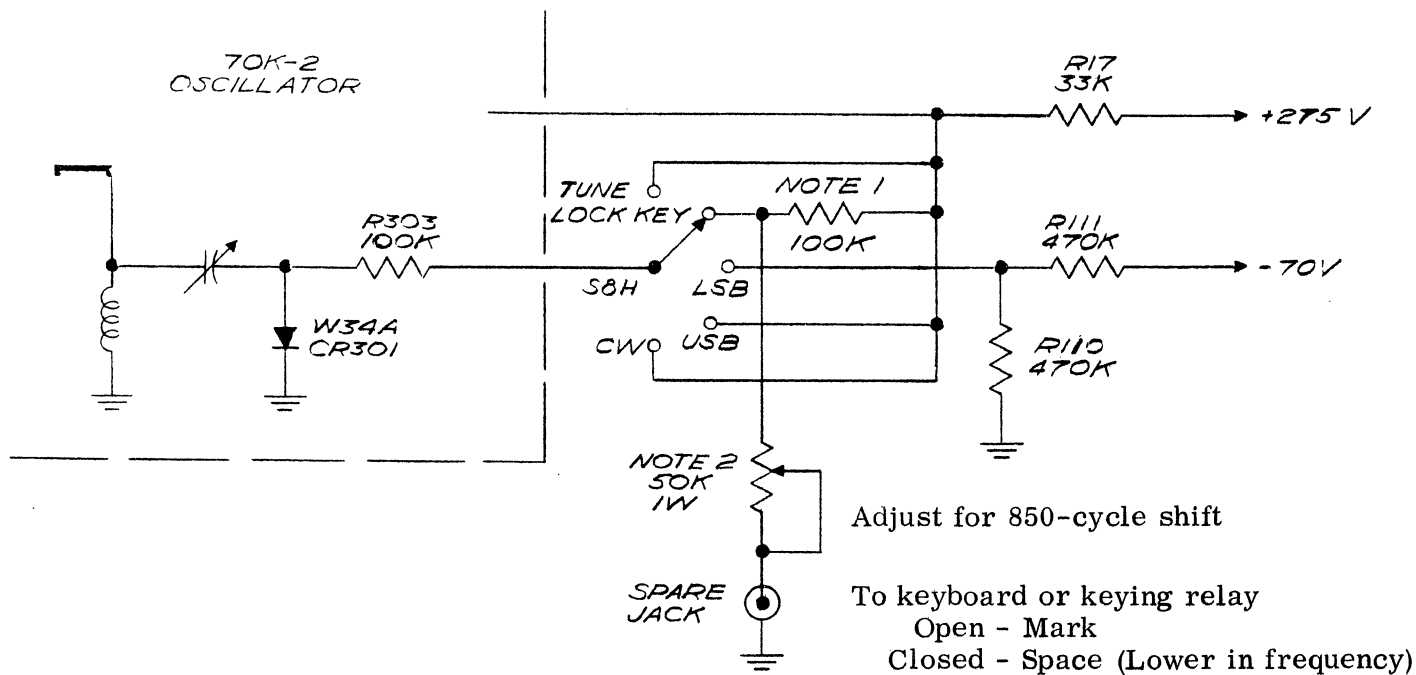


## 32S-1 RTTY MODIFICATION



- STEPS:
1. Add 100K 1/2-w resistor.
  2. Add 50K 1-w resistor, variable.
  3. Put transmitter in lock key position and zero on mark frequency.
  4. Close contact (spare jack), and adjust 50K potentiometer for proper shift (shift is lower in frequency).

© COLLINS RADIO COMPANY

1959



CEDAR RAPIDS, IOWA, U.S.A.