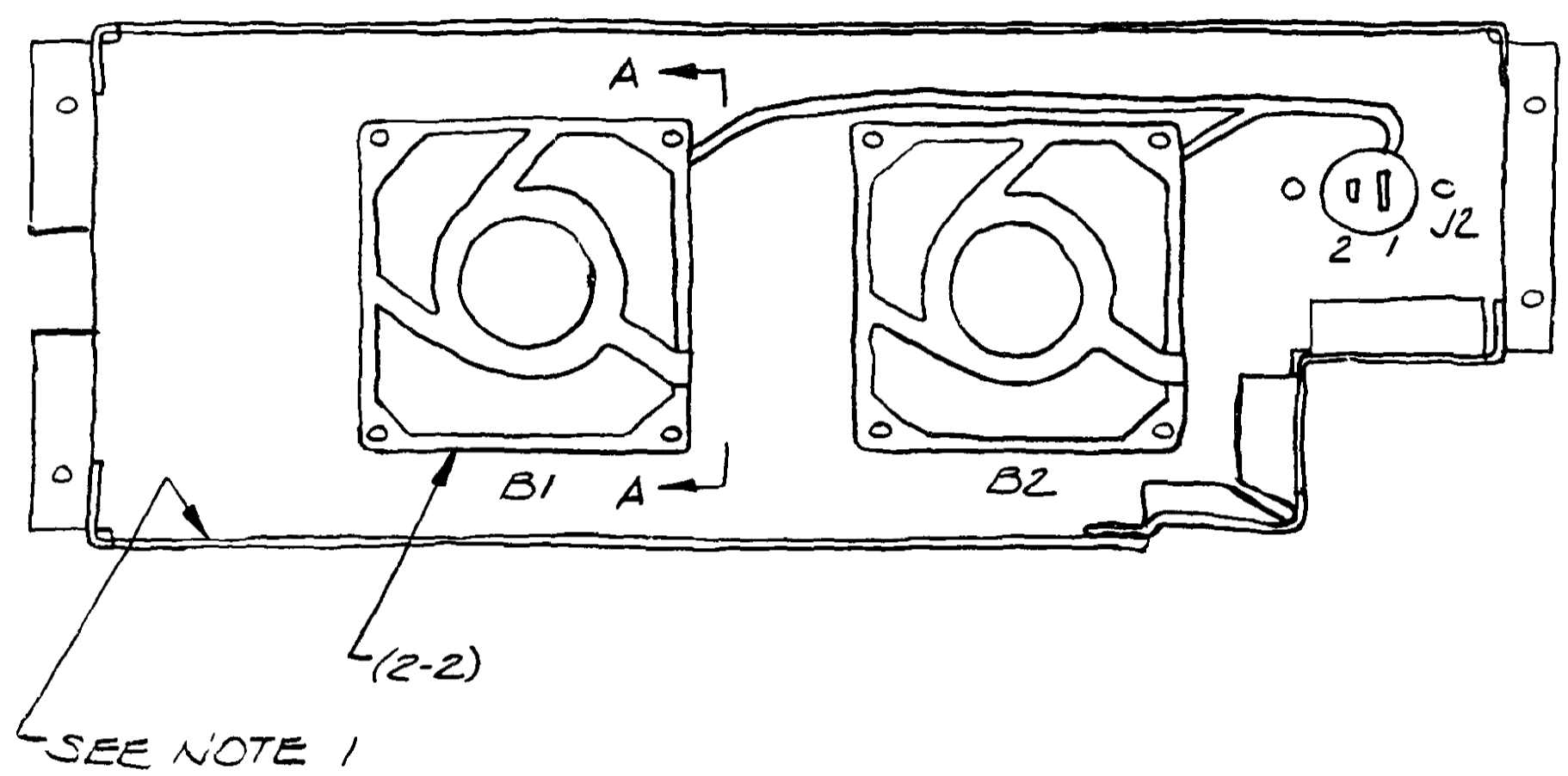
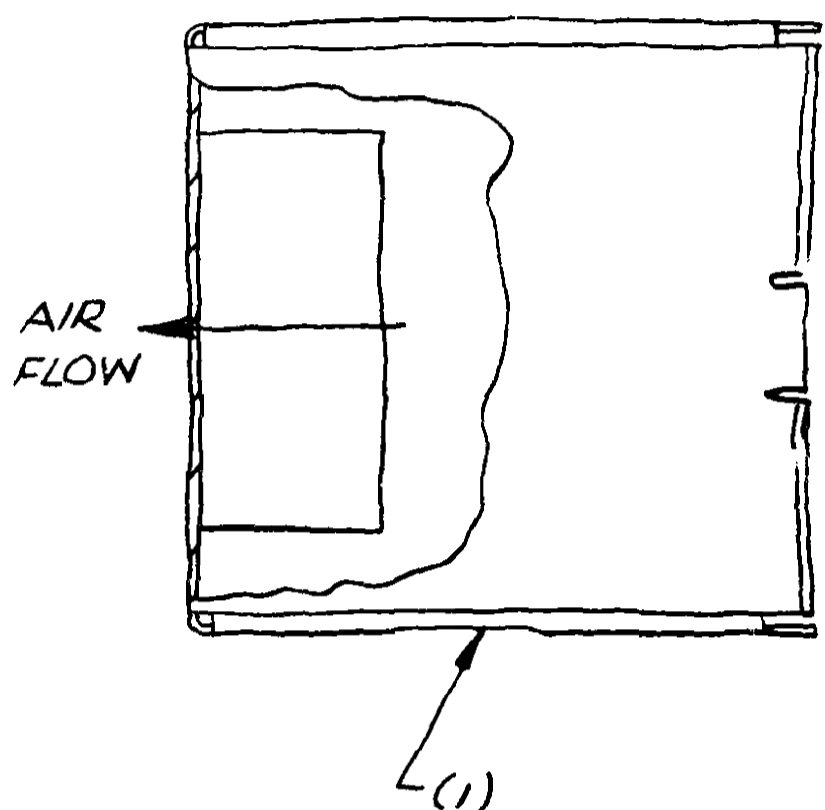
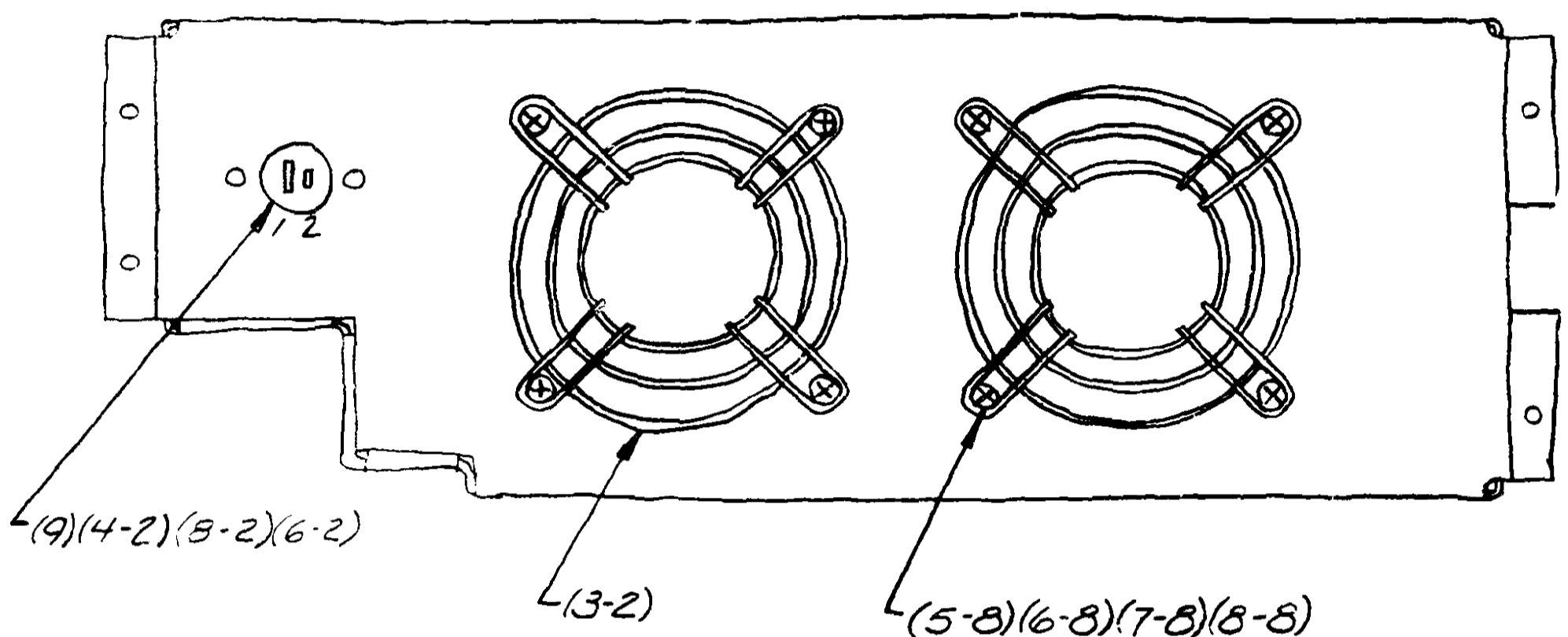


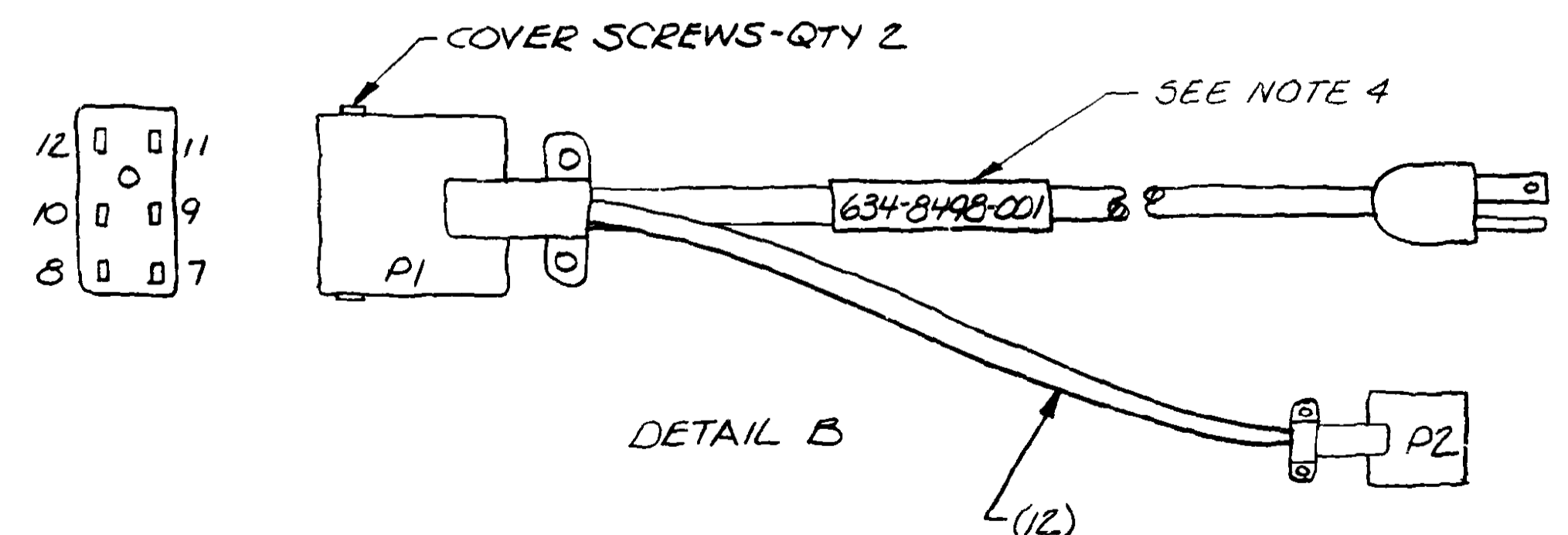
NOTES: SEE SHEET 2

REVISIONS			
LTR	DESCRIPTION	DATE	APVD
A	LS1092-(CODE 10) REV SH 1 & 2	2-12-79	HM
B	D01963-(CODE 13) ADDED ITEM 13, & SUBMITTED NEW SHEET 2, & RELOCATED NOTES TO SH 2. REV SH 1.	3-31-80	DB
C	D03438-(CODE 11) ADDED ITEM 14, ADDED NOTE 3, REV SH 1, 2	5-20-80	DB
D	D11392-(CODE 14) CHG LEADER FOR CALLOUT SEE NOTE 1, REV SH 1	10-1-82	M.H.
E	D12637-(CODE 16) ADDED CALLOUT "SEE NOTE 4" TO DETAIL B. REV SH 1.	12-3-82	DB



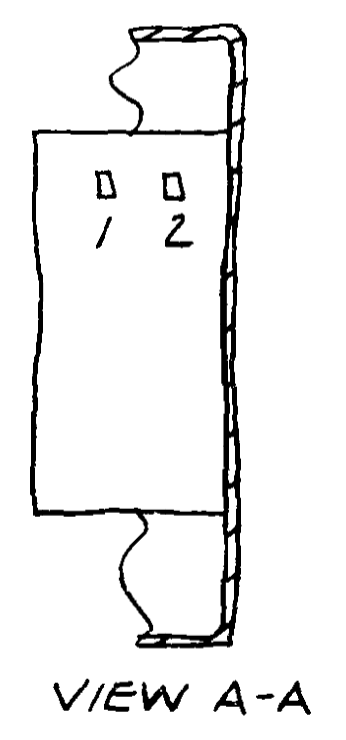
WIRE NO	WIRE CODE	FROM	TO
1	A22TAC00X/XXX	B1-1	J2-1
2	2	B1-2	J2-2
3	1	B2-1	J2-1
4	A22TAC00X2XXX	B2-2	J2-2

-001



ITEM (12) HOOK-UP

WIRE NO	COLOR	CONNECTION
1	BROWN	P1-7
2	BLUE	P1-12



QTY	ITEM NO.	PART OR IDENTIFYING NO.	NOMENCLATURE OR DESCRIPTION	REV LTR	ALTN PREF	UM/MN	NOTES	REF DESIGNATOR
1	14	520-8361-001	SUPPORT DRAWING					
0.1	13	421-2420-000	WIRE, ELEC-B24BAC00XXXX			FT		
1	12	641-6735-001	CABLE, BLOWER					B
2.0	11	439-4036-000	WIRE, ELEC-A22TAC00X/XXX			FT		
2.0	10	439-4032-000	WIRE, ELEC-A22TAC00X2XXX			FT		
1	9	365-0012-570	CONNECTOR					J2
10	8	310-0282-000	WASHER, LOCK-.138					
8	7	310-0779-050	WASHER, FLAT-.138					
10	6	313-0045-000	NUT, HEX-.138-32					
8	5	343-0171-000	SCREW, .138-32 X .500					
2	4	343-0168-000	SCREW, .138-32 X .312					
2	3	009-0178-020	GUARD					
2	2	009-0178-060	BLOWER					B1, B2
1	1	634-5947-001	COVER, HEATSINK					

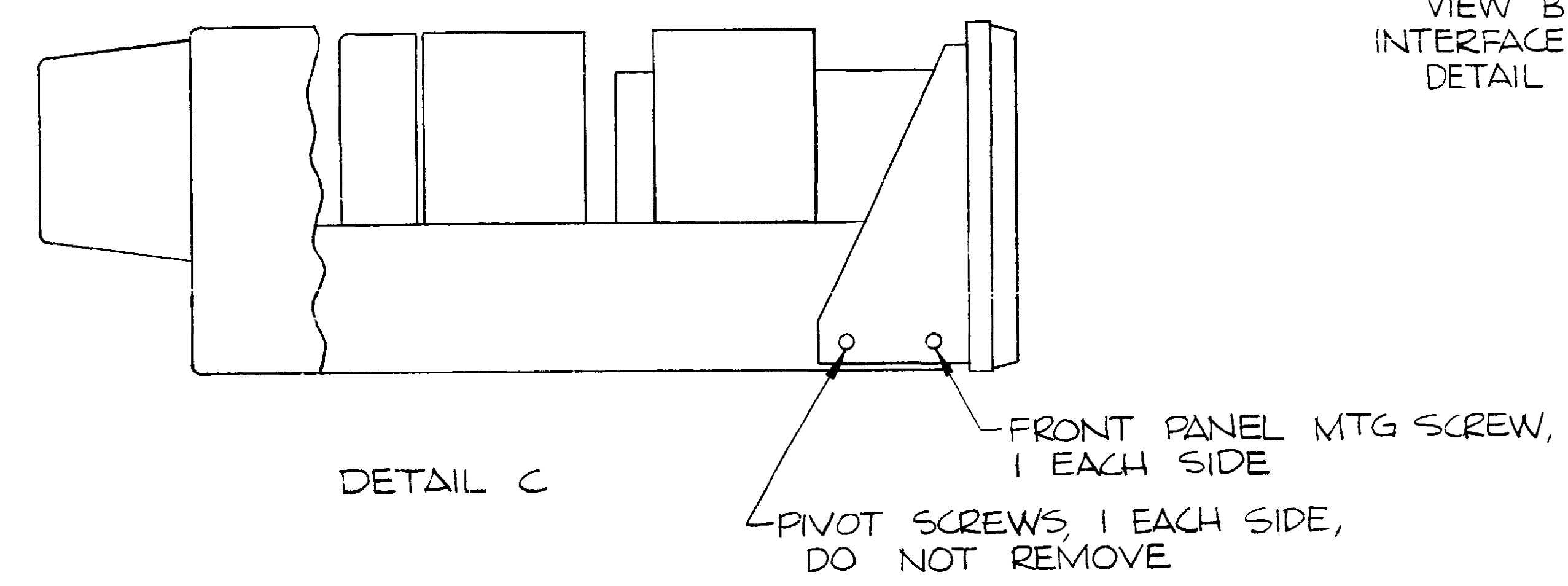
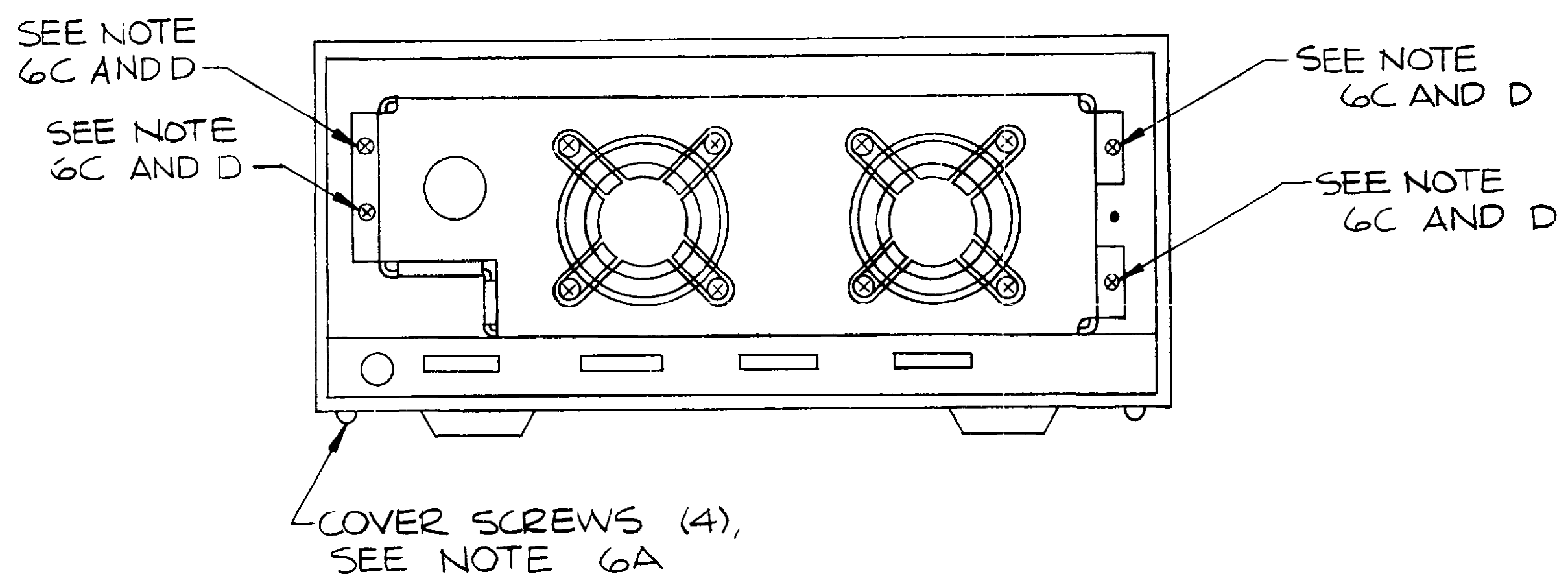
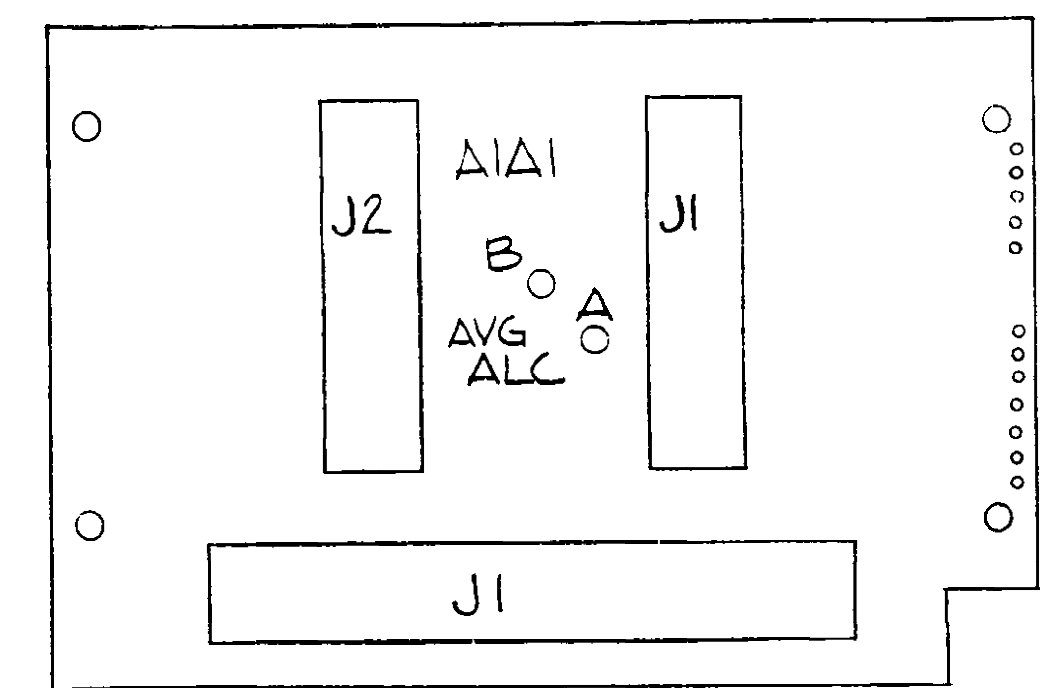
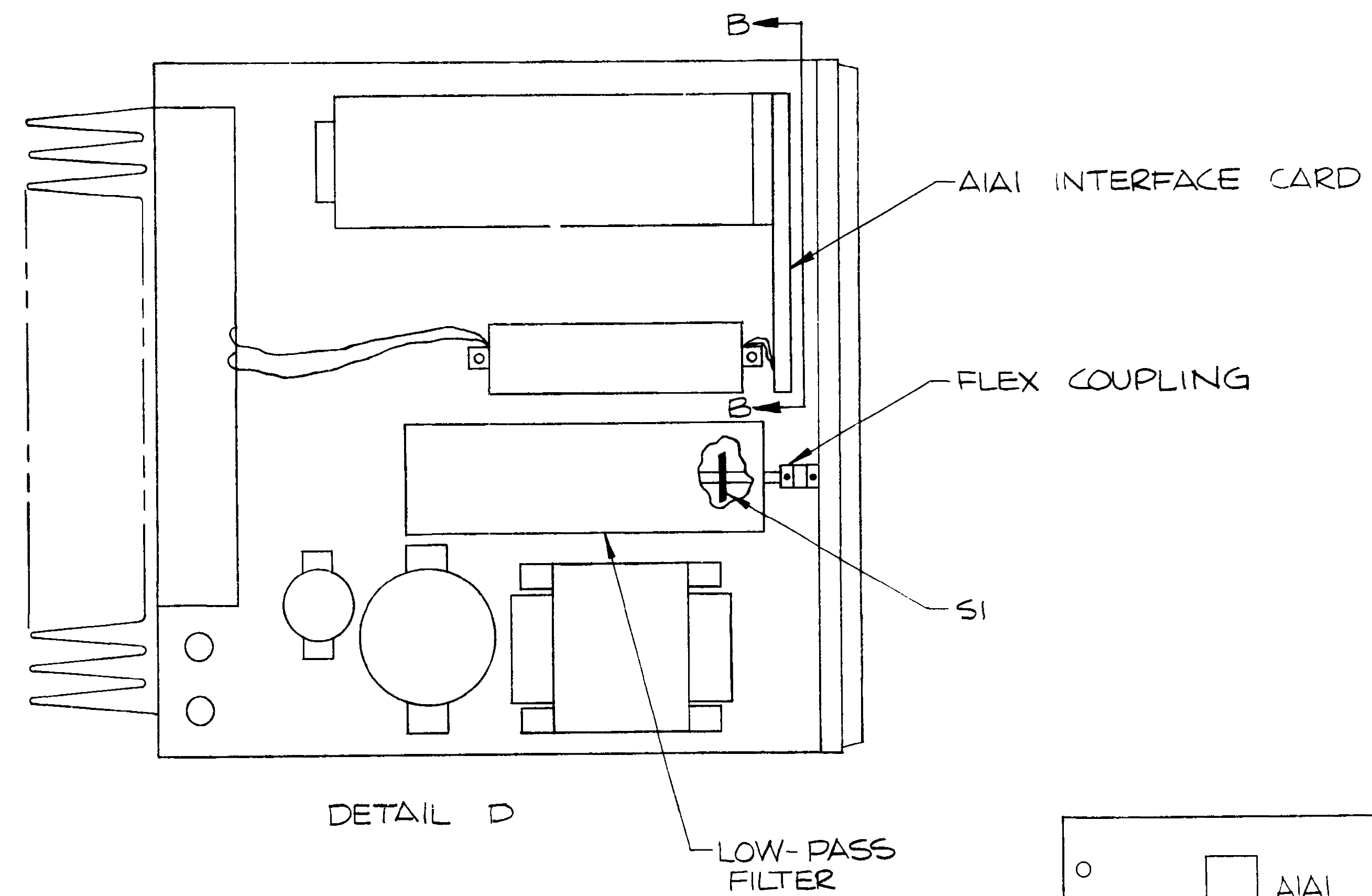
NOTICE - THE CONTENTS OF THIS DOCUMENT ARE PROPRIETARY TO COLLINS RADIO GROUP AND SHALL NOT BE DISCLOSED, DISSEMINATED, COPIED, DUPLICATED, OR USED EXCEPT FOR PURPOSES AUTHORIZED BY CONTRACT OR OTHERWISE EXPRESSLY AUTHORIZED IN WRITING PROJECT WORK ORDER AUTHORIZATION NO. 33321

REV STATUS OF SHEETS	REV SHEET	EC
	1	2

MATERIAL NONE	UNLESS OTHERWISE SPECIFIED, DUAL DIMENSIONED DWGS ARE IN MILLIMETRES (INCHES). SINGLE DIMENSIONED DWGS ARE IN INCHES. METRIC TOL ON METRIC DIM: X=±0.5, XX=±0.2 HOLE DIAMETERS UNDER 6.350=+0.13-0.13 6.35 TO 12.78=+0.15-0.13 OVER 12.78=+0.20-0.13 ANGLES: ±1.0° CONCENTRICITY BETWEEN DIA ON A COMMON AXIS TO BE WITHIN 0.25 Ø. PART SHALL COMPLY TO 580-5400-001--THIRD ANGLE PROJECTION	US CUSTOMARY [ ] TOL ON [ ] DIM: .XX=±.02, .XXX=±.008 HOLE DIAMETERS: UNDER .250=+.005-.005 .251 TO .500=+.006-.005 OVER .500=+.008-.005 ANGLES: ±1.0° CONCENTRICITY BETWEEN DIA ON A COMMON AXIS TO BE WITHIN .010 Ø.	CONTRACT NO. PREP BY COMMON 9/28/78 CHK J. MORGAN 10/12/78 APVD NETBIKER 10/16/78	ROCKWELL INTERNATIONAL CORPORATION COLLINS GROUPS DALLAS, TEX 75207 NEWPORT BEACH, CALIF 92663 CEDAR RAPIDS, IA 52406
FINISH NONE			AC-BLOWER AC-2808	
			SIZE D 13499 DWG NO. 622-3547 REV LTR E	
			SCALE NONE SHEET 1 OF 2	

NOTES:

1. MARKING ASSY 622-3547-001, T/L REV & REV LTR LOCATED APPROX AS SHOWN PER 580-0497-000.
2. SOLDER PER 580-5178-000.
3. PARENTHEICAL ITEM IDENT DENOTES: (ITEM NO-QTY).
4. MODIFY EXISTING POWER CABLE (634-8498-001) USING THE FOLLOWING INSTRUCTIONS & DETAIL B.
  - A. REMOVE COVER FROM POWER CABLE.
  - B. ROUTE ITEM (12) AS SHOWN IN DETAIL B & SOLDER WIRES TO PI USING CHART.
  - C. REPLACE COVER.
5. 580-6520-001 MAY BE USED ON THIS ASSY.
6. TO MOUNT BLOWER ASSY, PERFORM THE FOLLOWING:
  - A. REMOVE 4 SCREWS THAT SECURE DUST COVER TO UNIT.
  - B. SLIDE DUST COVER OFF UNIT.
  - C. REMOVE TOP & MIDDLE SCREWS & WASHERS ON LEFT SIDE (AS VIEWED FROM REAR), & TOP & BOTTOM SCREWS & WASHERS THAT SECURE RIGHT SIDE OF THE HEAT SINK TO THE CHASSIS BRACKET.
  - D. ATTACH BLOWER ASSY TO THE UNIT USING THE FOUR SCREWS & WASHERS REMOVED IN STEP C ABOVE.
7. TO ACHIEVE HIGH POWER OPERATION, PERFORM ALL THE FOLLOWING STEPS FOR THE HF-281. FOR THE HF-282, PERFORM ONLY E THRU H AND N.
  - A. REFER TO DETAIL D & REMOVE THE TOP COVER OF THIS LOW-PASS FILTER.
  - B. SET THE HF-281/282 TO CHANNEL 1 & NOTE THE POSITION OF THE ROTOR TAB ON SWITCH S1. THE ROTOR TAB SHOULD BE MAKING CONTACT WITH THE STATOR CONTACT NUMBER 1. SWITCH S1 IS THE ROTOR SWITCH IN THE LOW-PASS FILTER ASSY NEAREST THE FRONT PANEL.
  - C1. FOR UNITS HAVING A BLACK RUBBER FLEX COUPLING, LOOSEN THE FOUR SET SCREWS ON THE FLEX COUPLING. SEE DETAIL D.
  - C2. FOR UNITS WITH A PLASTIC/METAL FLEX COUPLING, (OLDHAM) SKIP STEP D. (THE COUPLING WILL SEPERATE WHEN PULLED APART.)
  - D. SLIDE THE FLEX COUPLING TOWARD THE BACK OF THE TRANSCEIVER TO DISENGAGE THE TWO SHAFTS.
  - E. REFER TO DETAIL C & REMOVE TWO FRONT PANEL MOUNTING SCREWS.
  - F. PIVOT FRONT PANEL DOWN TO GAIN ACCESS TO INTERFACE CARD A1A1.
  - G. LOCATE THE AVG ALC A & B TERMS. ON THE INTERFACE CARD, SOLDER A JUMPER WIRE BETWEEN TERMS A & B USING WIRE ITEM 13. SEE DETAIL E.
  - H1. PLACE FRONT PANEL IN THE NORMAL POSITION & REPLACE THE TWO FRONT PANEL MOUNTING SCREWS.
  - H2. FOR THE HF-282 SKIP TO STEP N.
  - I. ON UNITS WITH THE BLACK RUBBER FLEX COUPLING, SLIDE THE FLEX COUPLING FORWARD TO CONNECT BOTH PARTS OF THE SWITCH SHAFT. (THE PLASTIC/METAL COUPLING SHOULD HAVE RECONNECTED PROPERLY IN STEP H.)
  - J. RECHECK THE ALIGNMENT OF S1 ROTOR TAB & CONTACT NUMBER 1 ON THE STATOR PART OF THE SWITCH. THE ROTOR TAB SHOULD BE POSITIONED EXACTLY IN THE CENTER OF THE STATOR CONTACTS.
  - K. ON THE BLACK RUBBER FLEX COUPLING, THE TWO SET SCREWS THAT MAKE CONTACT WITH THE ROUND PART OF THE SHAFT SHOULD BE TIGHTENED FIRST. NEXT TIGHTEN THE TWO SET SCREWS THAT MAKE CONTACT WITH THE FLAT PART OF THE SHAFT.
  - L. ROTATE THE SWITCH SHAFT TO MAKE SURE THE ROTOR TAB MAKES CONTACT WITH THE STATOR CONTACTS 1 THRU 6.
  - M. REPLACE THE TOP COVER ON THE LOW-PASS FILTER ASSY.
  - N. REPLACE TRANSCEIVER DUST COVER & SECURE WITH THE FOUR SCREWS PREVIOUSLY REMOVED.
8. PLACE (12) AND (14) WITH COMPLETED ASSY.



ROCKWELL INTERNATIONAL CORPORATION  
COLLINS GROUPS  
DALLAS, TEX 75207 NEWPORT BEACH, CALIF 92663 CEDAR RAPIDS, IA 52406

PREP C SHEAFFER 2/1/80	SIZE D	FSCM 13499	DWG NO. 622-3547	REV LTR C
CHK T. SPERAL	SCALE NONE			SHEET 2