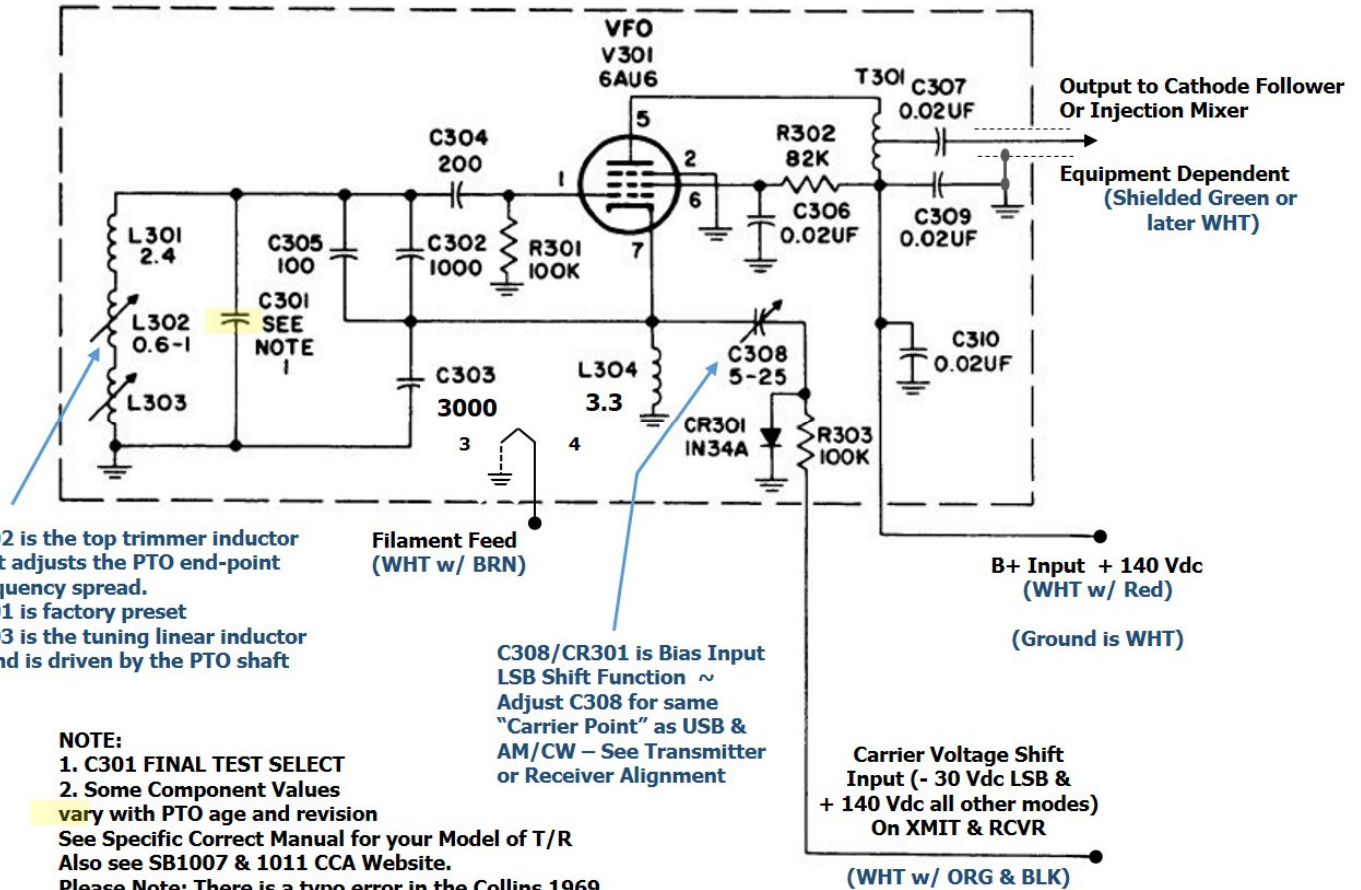


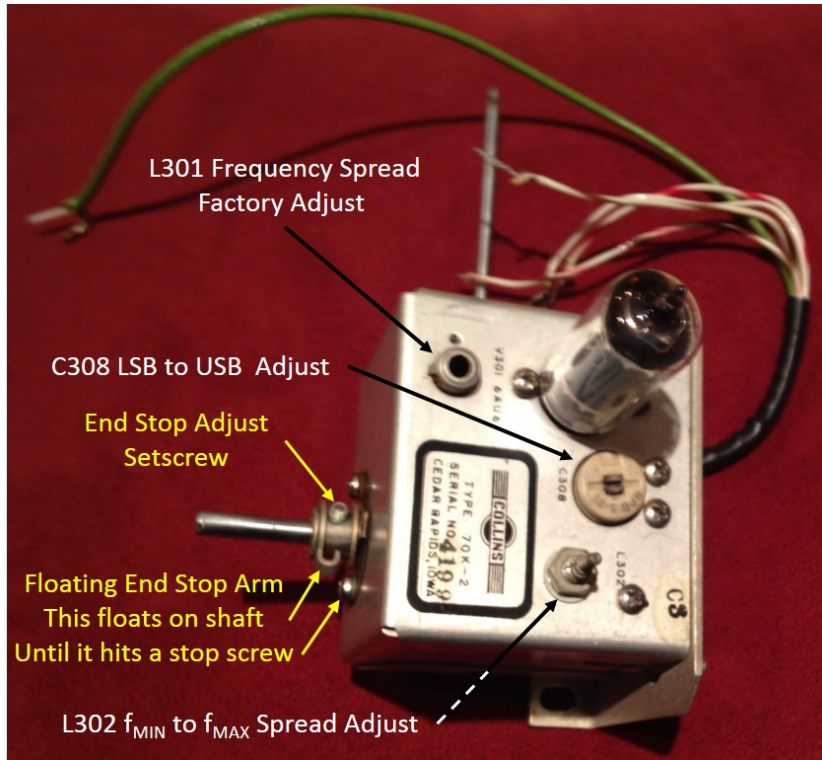
## 70K-2 PTO Annotated Schematics

(w/ Alignment Notes and Lead Color Codes)

Frequency Range: Minimum: 2.5 to 2.7 MHz  
 Typical Stop to Stop: 2.5 MHz – (2 to 10 kHz)  
 to 2.7 MHz +(2 to 10 kHz) ~ Symmetrical

**70K-2 OSC (Circa 1969)**





70K-2 Annotated Schematic (later) ~ See below

